

BRESLE CHLORIDE KIT

SP7310

DATASHEET

PRODUCT DESCRIPTION

The TQC Bresle Kit - Chloride Test Kit includes all the necessary equipment for assessing the level of soluble salts on blast-cleaned surfaces prior to coating. Inside the Bresle KIT - Chloride Test Kit is a conductivity gauge used for the assessment of all water soluble salts such as: chlorides, sulfates, nitrates contribute to the conductivity measurement. The Bresle KIT complies with the ISO 8502-6 and ISO 8502-9 standards, describing the Bresle Method, that state that the conductivity is mainly directly proportional to the concentration of dissolved salts in the solution.

**Contamination of blast-media**

The Bresle Kit is also suitable to determine the contamination of blast-media in use. This to prevent that the dissolved salts in the recycled abrasive media or water will not re-contaminate the surface being cleaned.

BUSINESS

Marine coatings, Protective coatings, Pipeline coatings.

STANDARDS

According to ISO8502-6, ISO8502-9. Look up the appropriate standard for a correct execution of the test.

FEATURES

Unique Direct Sampling Procedure (DSP) to ensure high speed and accuracy. Up to 60 times more accurate than other test kits available.

SCOPE OF SUPPLY

The Bresle kit is complete with

- Case
- Digital Conductivity meter
- 25 bresle patches
- Deionised water
- Calibration and Cleansing Solutions
- Cup and syringe
- pictorial manual

ORDERING INFORMATION

SP7310 TQC Bresle Kit

ACCESSORIES

HI0070	TQC Conductivity/TDS/Salinity Pocket tester
LD6504	TQC Bresle Patch (box of 25 pieces)
SP4550	Cup 50ml (pmp) for Bresle KIT
SP4551	Cup 250 ml (pmp) for Bresle KIT
SP7001	MWY514 plastic cups (20x) for Bresle KIT
SP7100	MWY514 plastic cups (25x) for Bresle KIT
SP7105	MWY514 plastic cups (100x) for Bresle KIT
SP7932	Waste bottle for Bresle KIT
SP7320	TQC Calibration Solution 84 μS , bottle of 50ml
SP7321	TQC Maintenance Cleansing Solution, bottle of 50ml
SP7933	Magnetic Bresle Test spot marker

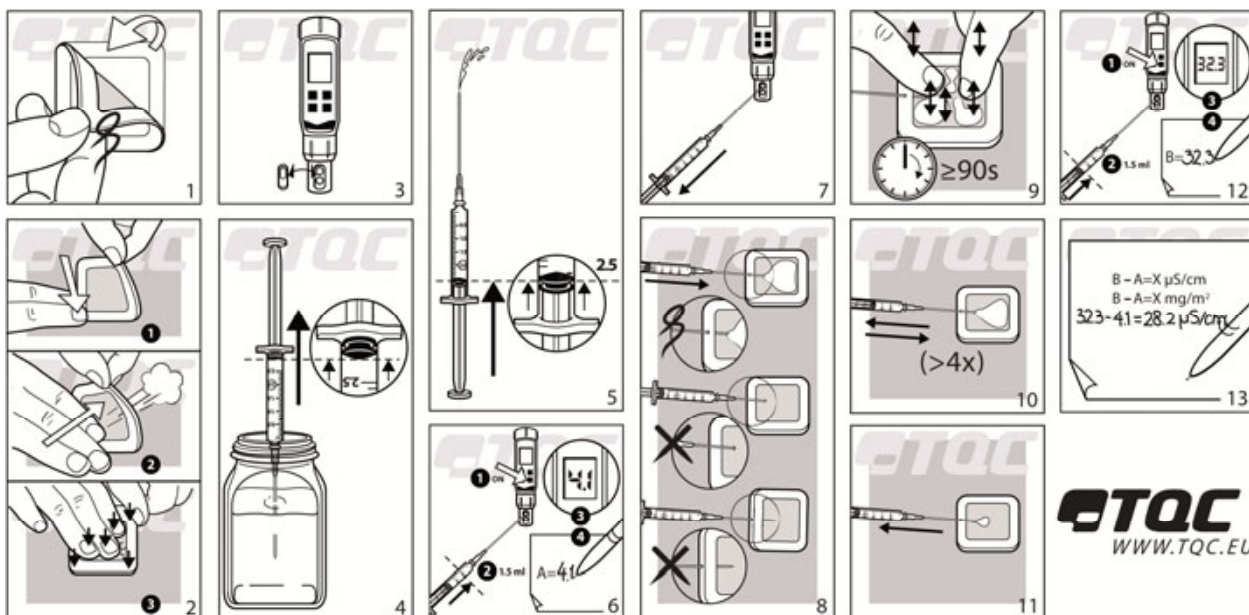
SPECIFICATIONS

Range: 0,1 – 20.000 mg/m^2 (with DSP method)
Resolution: 0,1 mg/m^2 (with DSP method)

Range	Resolution
0-200.0 μS	0.1 μS
200-2000 μS	1 μS
2.0-20.00 mS	0.01 mS

Accuracy: 1% full scale
Temperature range: 0 – 50 °C
ATC: 0 – 50 °C
Normalization temperature: 25 °C
Auto off: 8.5 minutes after last key pressed
IP class: IP67
Calibration points: up to 3 points
Patch area: 12,50 cm^2
Patch type: Latex membrane

USE



SPECIAL CARE

- Always clean the instrument after use.
- Depending on the frequency of use, a thin film may occur on the probe. Use a clean cotton swap and cleansing solution to remove this.
- Always keep the instrument in its case when not in use.
- We recommend annual calibration

DISCLAIMER

The right of technical modifications is reserved.

The information given in this sheet is not intended to be exhaustive and any person using the product for any purpose other than that specifically recommended in this sheet without first obtaining written confirmation from us as to the suitability of the product for the intended purpose does so at his own risk. Whilst we endeavour to ensure that all advice we give about the product (whether in this sheet or otherwise) is correct we have no control over either the quality or condition of the product or the many factors affecting the use and application of the product. Therefore, unless we specifically agree in writing to do so, we do not accept any liability whatsoever or howsoever arising for the performance of the product or for any loss or damage (other than death or personal injury resulting from our negligence) arising out of the use of the product. The information contained in this sheet is liable to modification from time to time in the light of experience and our policy of continuous product development.